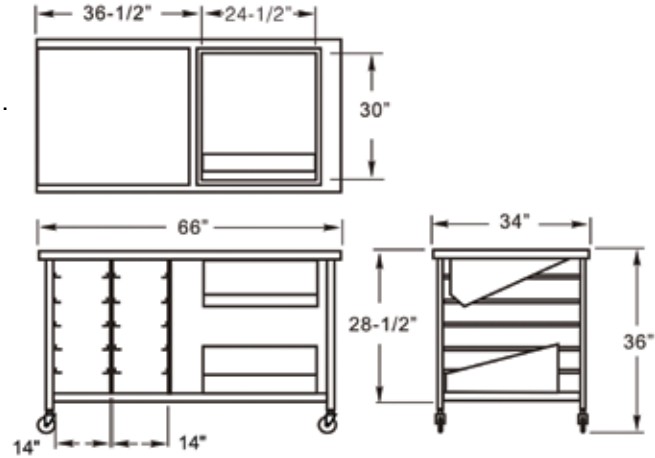


# DONUT & FLOUR BINS



## Premium Donut Table

- \* Quality series 16 gauge stainless steel.
- \* Ideal for making and glazing donuts.
- \* All welded construction for rigidity and strength.
- \* Rolls easily on heavy duty 5" swivel casters.
- \* Reinforced top and side edges provide extra strength.
- \* Bottom basket is made of heavy gauge galvanized steel.
- \* Includes donut table accessories.



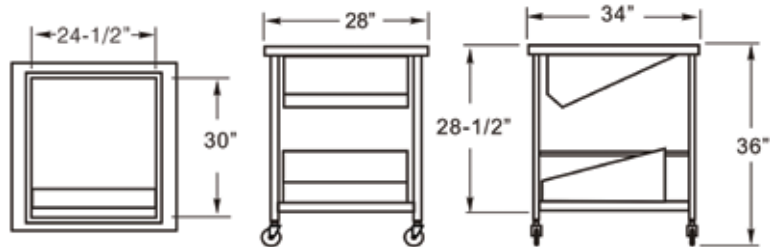
### Caster replacement:



Order No	Description	Weight lbs/case
DN-TBL	Dount Table. 34"W x 66"L x 36"H, Includes DN-BSS, DN-DPR, DN-PAN, DN-COVER	230

Donut & Flour Bins (20~21)

## Donut Glazing Table



Order No	Description	Weight lbs/case
DN-TBLS	Dount Table. 34"W x 28"L x 36"H, Includes DN-BSS, DN-DPR, DN-PAN, DN-COVER	80

## Donut Table Accessories



DN-DPR



DN-PAN



DN-BSS



DN-COVER

Order No	Description	Weight lbs/case	Pack/case
DN-BSS	Galvanized Donut Table Bottom Basket (23-5/8"W x 23"-5/8L x 14"H)	26	1
DN-DPR	S/S Glazing Dipper. (4"W x 24"L x 9"H)	25	5
DN-PAN	S/S Top Glazing Sugar Pan, (24-1/4"W x 30"L)	16	1
DN-COVER	S/S Removable Cover (34-1/2"W x 28"L x 1-1/2"H)	12	1