

Item# _____
Project: _____
Qty: _____

Hot Food Table

EST3-1



Serv-Ware

Features

- Stainless heating elements
- Adjustable stainless steel feet
- Designed to hold pre-cooked foods at safe hot food holding temperature
- 3 independent infinite controls
- 3 Bays, open well accommodates standard size pans (*NOT Included)
- Includes a 430 series stainless under shelf and a 201 series stainless legs
- Removable cutting board
- 1500w/120v
- 6' cord



Serv-Ware
www.servware.com

Phone:(800).768.5953

Fax:(800).976.1299

Revised 11/18

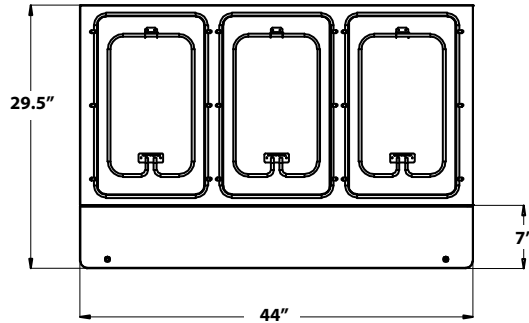
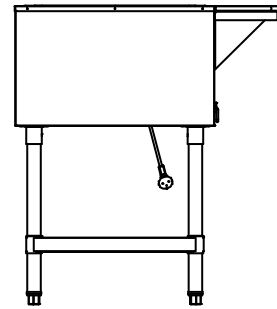
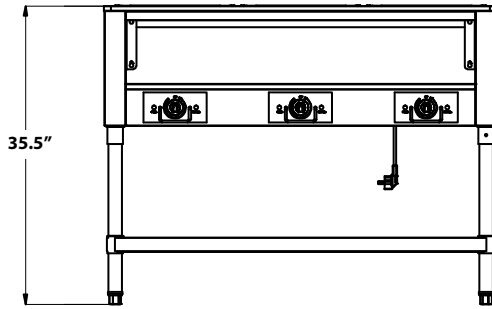
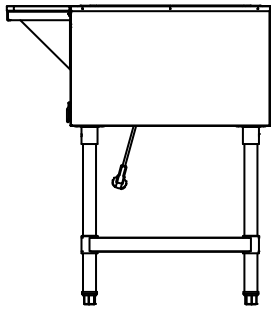
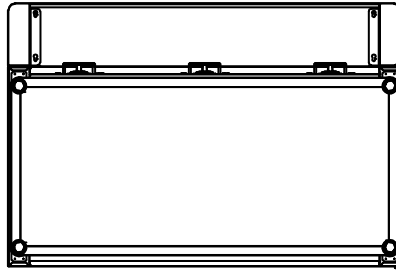
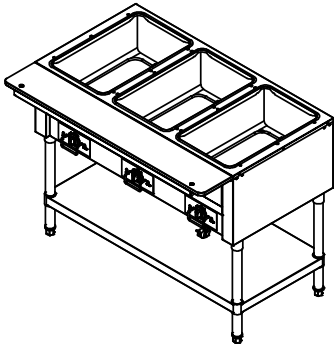
Item# _____

Project: _____

Qty: _____

EST3-1

Hot Food Table



Serv-Ware



Model	Description	Dimensions (H x W x D)	Weight / lbs. (Shipping)
EST3-1	3 Bays, open well hot food table	33.5" H X 44" W X 29.5" D	84 lbs.



Serv-Ware
www.servware.com

Phone: (800).768.5953

Fax: (800).976.1299

Revised 11/18

