

Item# \_\_\_\_\_  
Project: \_\_\_\_\_  
Qty: \_\_\_\_\_

# Convection Ovens

## SGCO-1



**SGCO-1 Shown With Stacking Kit.**

## Features

### Features & Benefits:

- 54,000 BTU per oven cavity
- Stainless front with fully visible glazed doors
- Porcelain interior for easy cleaning
- 4 Racks, 13 rack positions
- Automatic igniting system
- Solid state temperature controller
- 60 Minute timer
- 120V Dual speed motor
- Interior light
- Built for natural gas and supplied with LP conversion kit
- 3/4" Gas inlet size
- Single unit (SGCO-1) - Strong, stable angular legs, double stacking options
- Double stack unit - stacking kit with casters included (assembly required)

**One Year** - Parts & Labor on entire unit. Valid in United States  
- Valid for commercial use only



**Serv-Ware**  
[www.servware.com](http://www.servware.com)

Phone:(800).768.5953

Revised 04/19

Fax:(800).976.1299



Intertek



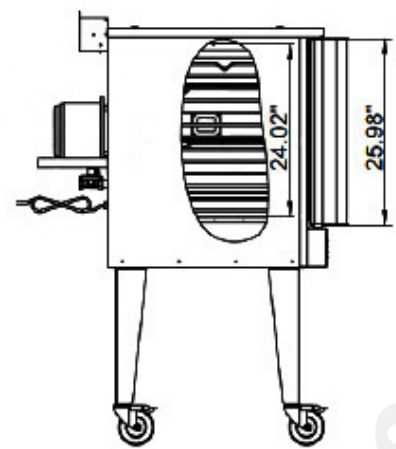
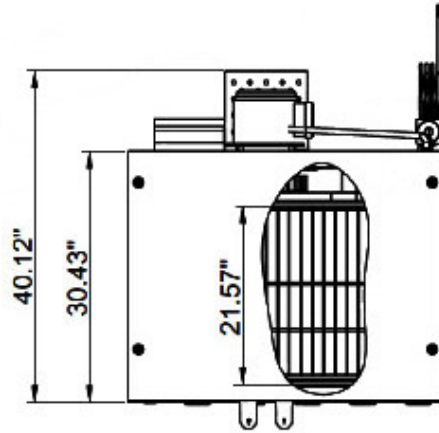
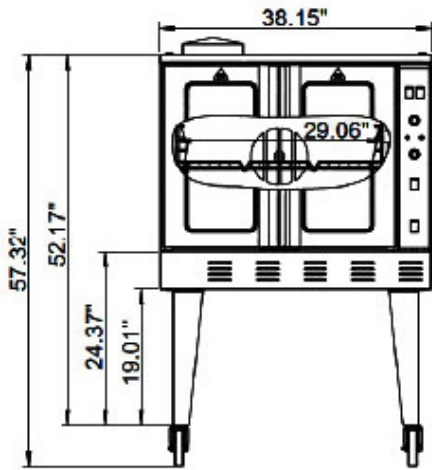
Intertek

Serv-Ware

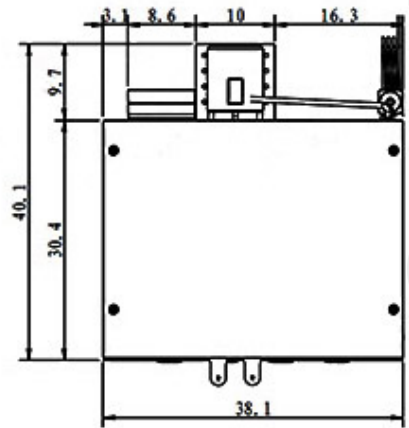
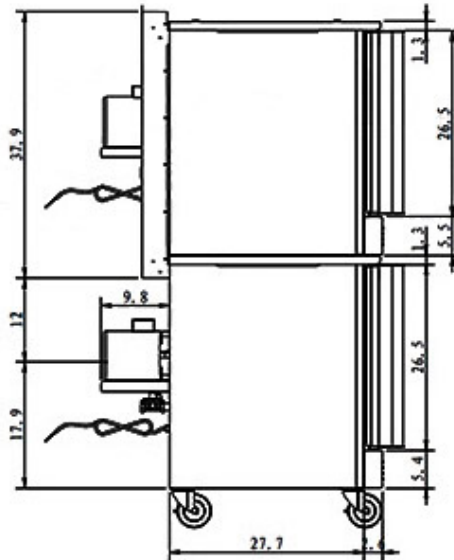
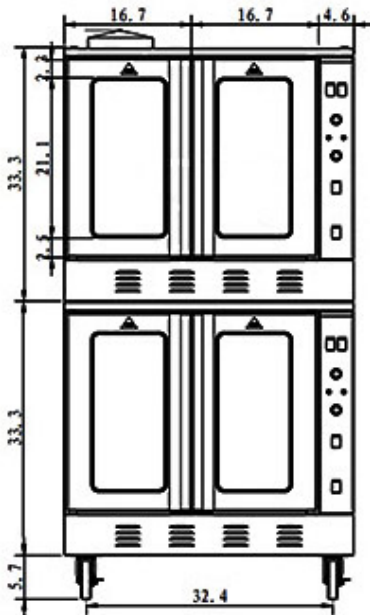
Item# \_\_\_\_\_  
 Project: \_\_\_\_\_  
 Qty: \_\_\_\_\_

# Convection Ovens

## SGCO-1



## SGCO-1 Shown With Stacking Kit



Model	Description	Dimensions (W x D x H)	Weight / lbs. (Shipping)
SGCO-1	Single Deck	38" x 43.2" x 57.32"	606
	Double Deck	38" x 43.2" x 72.3"	1213



**Serv-Ware**  
[www.servware.com](http://www.servware.com)  
 Phone: (800).768.5953

Revised 04/19  
 Fax: (800).976.1299



Serv-Ware