

# 1Gal(3.8L) SH-S Srvr SST

12.7" x 14.0" x 8.5"  
(32.3cm x 35.6cm x 21.6cm)

- LED power indicator shows server is operational
- Safety-Fresh® patented brew-through lid with vapor seal and spill prevention
- Soft Heat® servers supply controlled heat to coffee to maintain flavor and temperature



Agency:



## Specifications

Product #: 27850.0046

Finish: Stainless

## Additional Features

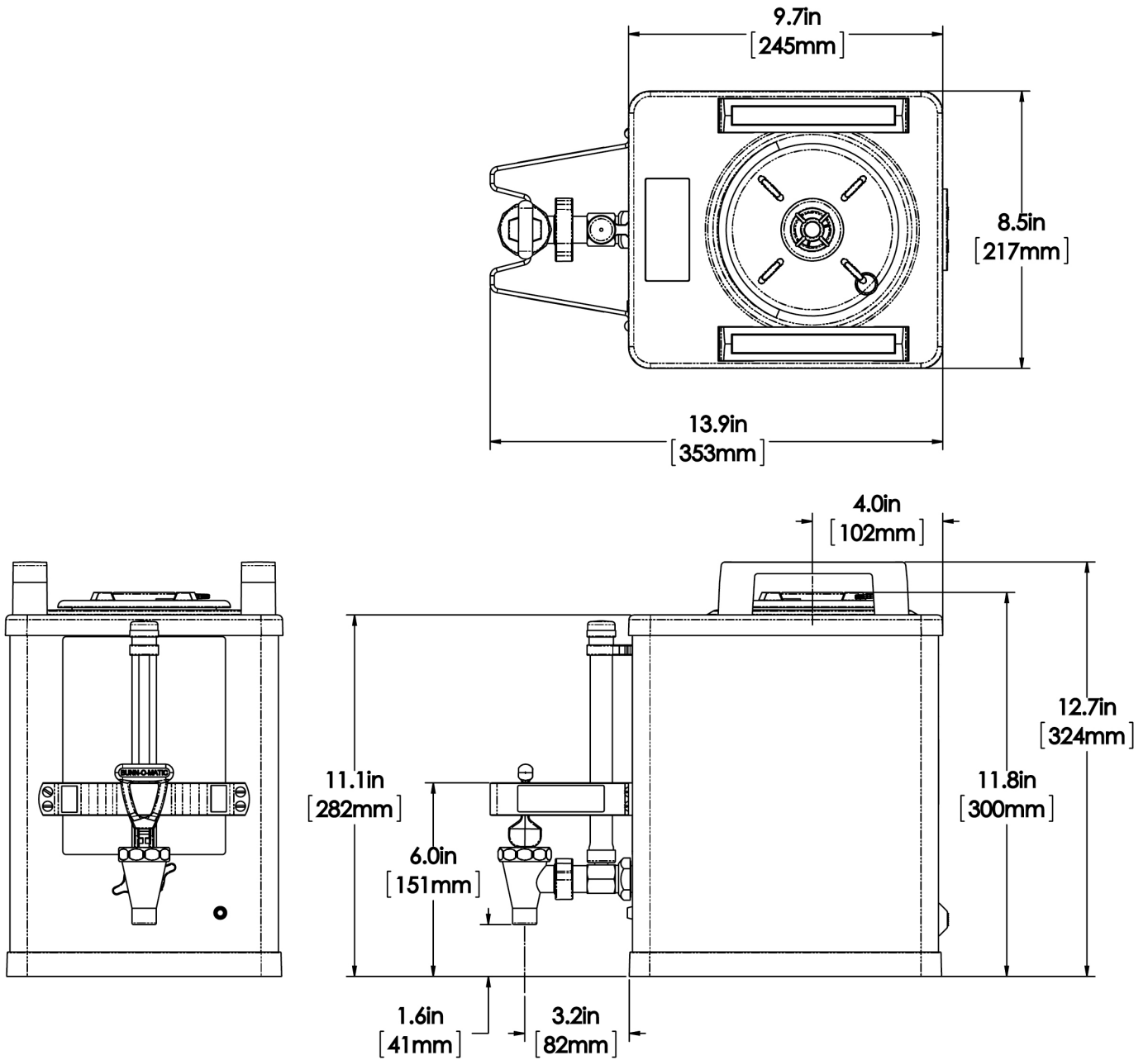
## Holding Capacity

English	Metric
128 oz.	3.8 L



BUNN® reserves the right to change specifications and product design without notice. Such revisions do not entitle the buyer to corresponding changes, improvements, additions or replacements for previously purchased equipment. For most current specifications and other info visit [bunn.com](http://bunn.com).

Created on:  
09/13/2017



	Unit			Shipping				
	Width	Height	Depth	Width	Height	Depth	Weight	Volume
English	8.5 in.	12.7 in.	14.0 in.	-	-	-	18.000 lbs	1.580 ft <sup>3</sup>
Metric	21.6 cm	32.3 cm	35.6 cm	-	-	-	8.165 kgs	0.045 m <sup>3</sup>



BUNN® reserves the right to change specifications and product design without notice. Such revisions do not entitle the buyer to corresponding changes, improvements, additions or replacements for previously purchased equipment. For most current specifications and other info visit [bunn.com](http://bunn.com).

Created on:  
09/13/2017

## Related Products & Accessories: 1Gal(3.8L) SH-S Srvr SST(27850.0046)



1SH STAND, CE  
220-240V 50-60 HZ EURO

Product #: 27825.0001



1SH STAND, CE  
220-240V W/UK PLUG

Product #: 27825.0002



1SH STAND, 120V BLK

Product #: 27825.0003



1SH STAND, CE 220V 60  
HZ INMETRO

Product #: 27825.0006



2SH STAND, 120V

Product #: 27875.0000



BASE

Product #: 27875.0000



2SH STAND, CE  
220-240V 50-60HZ EURO

Product #: 27875.0001



2SH STAND, 120V BLK

Product #: 27875.0003



2SH STAND, CE 220V  
60HZ INMETRO

Product #: 27875.0005



BUNN® reserves the right to change specifications and product design without notice. Such revisions do not entitle the buyer to corresponding changes, improvements, additions or replacements for previously purchased equipment. For most current specifications and other info visit [bunn.com](http://bunn.com).

Created on:  
09/13/2017